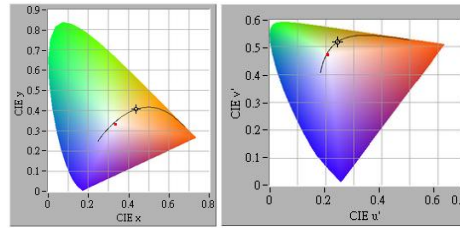
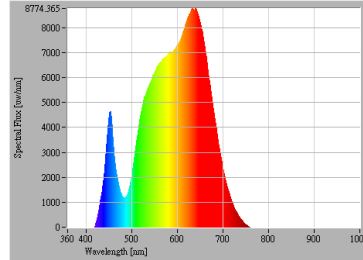
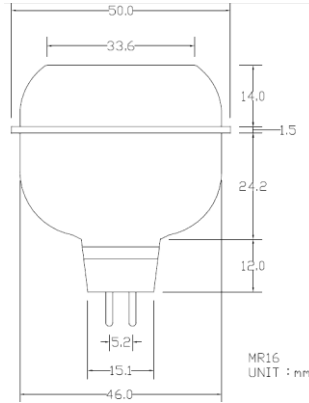




星權光電股份有限公司 Shinkando Optonic Co., Ltd.

LED Spot Light PL1001MR16W2 High CRI



Warm White Spectrum Figure



Specification :

LED SPOT LIGHT- PL1001 MR16W2	
	Warm White High CRI
Input Voltage	AC/DC12V±10%
Power Consumption	10W
Luminous Flux (Typ.)	430 Lm
Luminance Efficacy (Typ.)	43 Lm/W
C.R.I.	> 90
Color Temperature	3000K
Luminance @ (1M, 38 degree)	530Lux
Operation Temperature	-20°C ~ 40°C
Life Time	20,000Hrs
Beam Angle	38 Degree
S/N Ratio	< 25 db at 50cm
Warranty	2 years

Features :

- . High power LED for indoor use.
- . Direct replacement for any halogen MR16 lamps.
- . Up to 80% energy saving.
- . Equipped with flame-retardant plastics.
- . No UV and IR radiation.
- . Lead-free, Mercury-free, environment-friendly.

Warning :

- . Not suitable for high temperature and high humidity area.
- . Not suitable for enclosed fixture.
- . Please turn off the power before replacing the new lamp.

Made In Taiwan

3FL, No. 184, Fusing N. Rd. Taipei, Taiwan, R.O.C.

Tel: +886-2-2516-5881 Fax: +886-2-2516-5882

<http://www.shinkando.com> [email: service@shinkando.com](mailto:service@shinkando.com)



星權光電股份有限公司 *Shinkanda Optronic Co., Ltd.*

Application :

- . Special for the Jewelry Store.
- . Commercial Store.
- . Restaurant & Hotel.
- . Conference & Meeting Room.
- . Show Room.
- . Anywhere the halogen lamp was used.

Packing : 50 inner boxes / carton

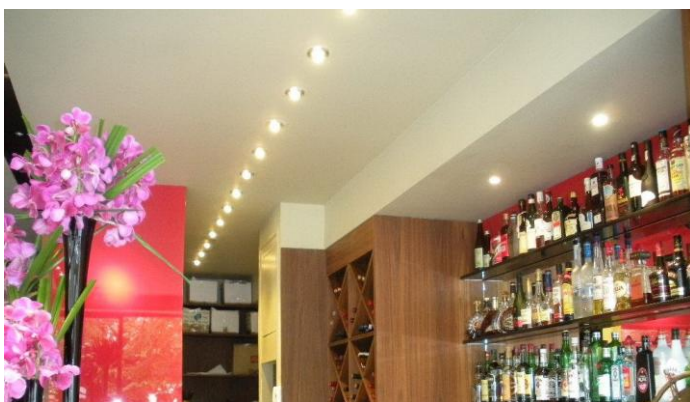
Inner Box Dimension : 60mm (L) x 60mm (W) x 85mm (H)

Carton Dimension : 320mm (L) x 320mm (W) x 190mm (H) around 0.0195CBM

Note : There are around 80% of electric transformer of halogen lamp can use to our MR16, or you can choice our Adaptor CG15-1201250N.



Photos :



CO2 calculation reference IPCC guide=0.637 CO2/KWh : 10W x 24hrs x 365days /KWh x 0.637 = 55.8kgs

Halogen lamp 50W x 24hrs x 365days /KWh x 0.637 = 279kgs/year

Made In Taiwan

<http://www.shinkando.com>

3FL, No. 184, Fusing N. Rd. Taipei, Taiwan, R.O.C.

Tel: +886-2-2516-5881 Fax: +886-2-2516-5882